

**CAUTION** : Read instructions thoroughly and completely prior to beginning installation.

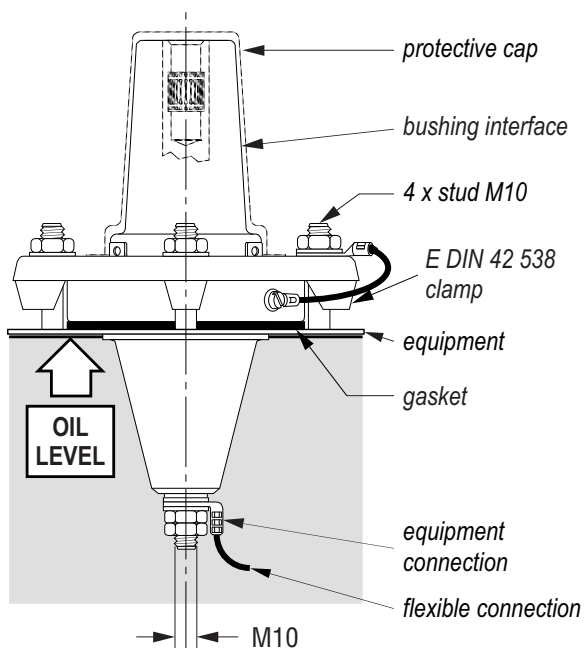
## Installation Instructions

# (K)(M)400AR-8

## Equipment Bushings - Type B interface

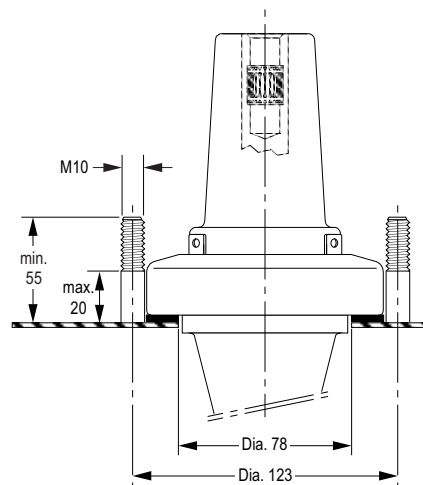
250 A - Up to 36 kV

### Typical fixing with ring clamp DIN 42 538



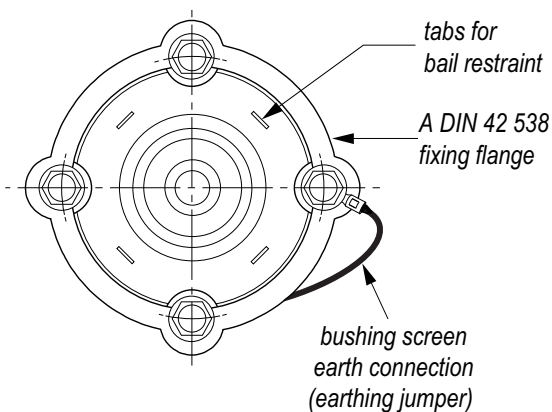
Tighten nuts using a key of 17 mm.  
Tightening torque : 16 Nm  
(1,6 kgm or 11,6 Foot-pounds).

### (K),(M)400AR-8/J equipment bushing with earthing jumper



### FOR INFORMATION ONLY

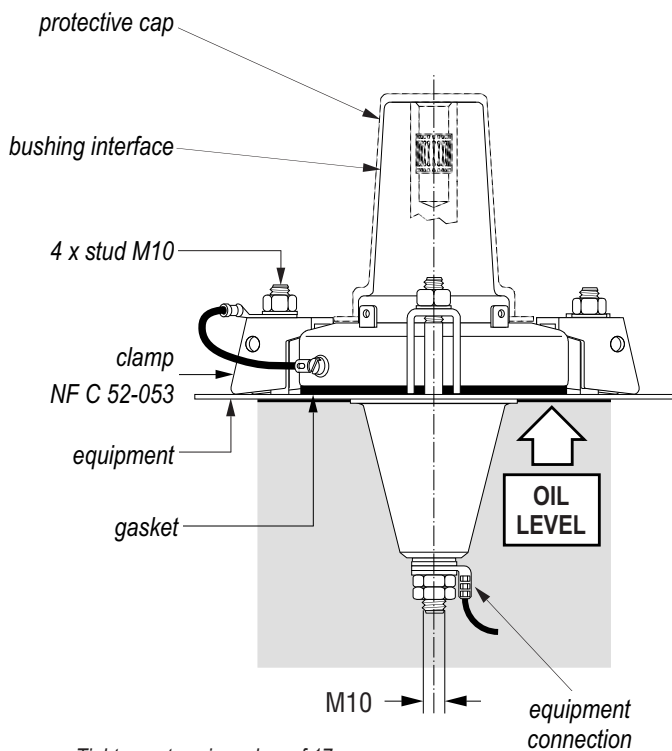
Please always use the instruction supplied in the kit



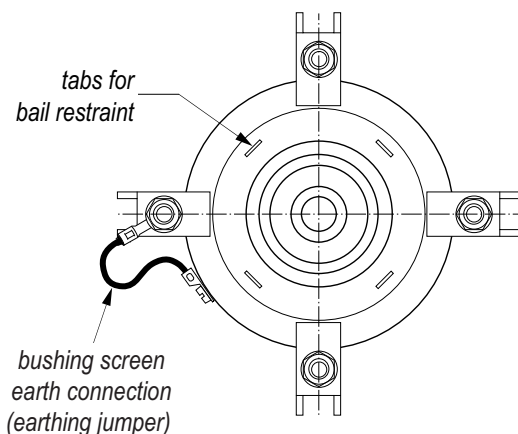
### IMPORTANT NOTES :

- Euromold bushings are supplied with protective caps over the mating interface offering protection against mechanical damage and the ingress of any contaminant. Under no circumstances should this shipping cap be considered as an electrical dead-ending device.
- Euromold bushings should never be energised in isolation neither should they be disconnected whilst energised. They should always be connected to one of the recommended mating parts or the electrical dead-ending device : 4000DR, K400DR, M400DR, 400DR/G, K400DR/G or M400DR/G.
- Do not paint the interface.
- Fixing devices are not supplied.

**(K),(M)400AR-8/J equipment  
bushing with earthing jumper**

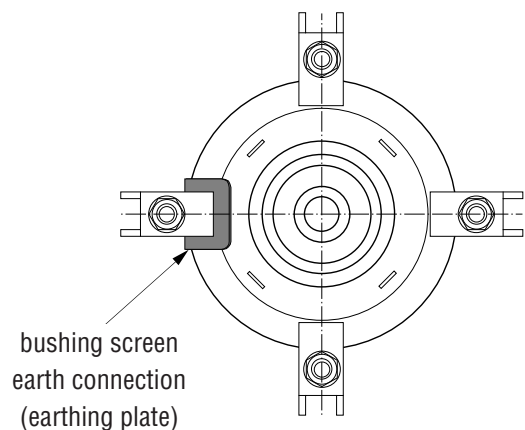
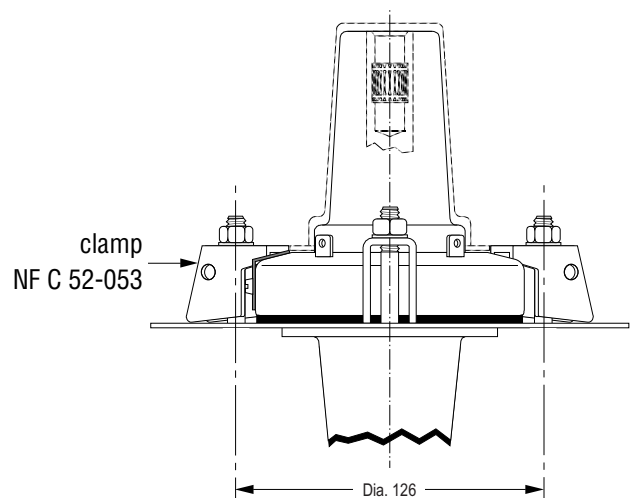


Tighten nuts using a key of 17 mm.  
Tightening torque : 16 Nm  
(1,6 kgm or 11,6 Foot-pounds).



**Typical fixing with  
Claw Clamps  
NF C 52-053**

**(K),(M)400AR-8/GS equipment  
bushing with earthing plate**



**IMPORTANT NOTES :**

- Euromold bushings are supplied with protective caps over the mating interface offering protection against mechanical damage and the ingress of any contaminant. Under no circumstances should this shipping cap be considered as an electrical dead-ending device.
- Euromold bushings should never be energised in isolation neither should they be disconnected whilst energised. They should always be connected to one of the recommended mating parts or the electrical dead-ending device : 4000DR, K400DR, M400DR, 400DR/G, K400DR/G or M400DR/G.
- Do not paint the interface.
- Fixing devices are not supplied.