

# 400LR

## APPLICATION

Separable elbow connector (plug-in type) designed to connect polymeric insulated cable to equipment (transformers, switchgear, motors...).

## TECHNICAL CHARACTERISTICS

- The thick conductive EPDM jacket provides a total safe to touch screen which ensures safety for personnel.
- Each separable connector is tested for AC withstand and partial discharge prior to leaving the factory.

## INTERFACE B ELBOW CONNECTOR

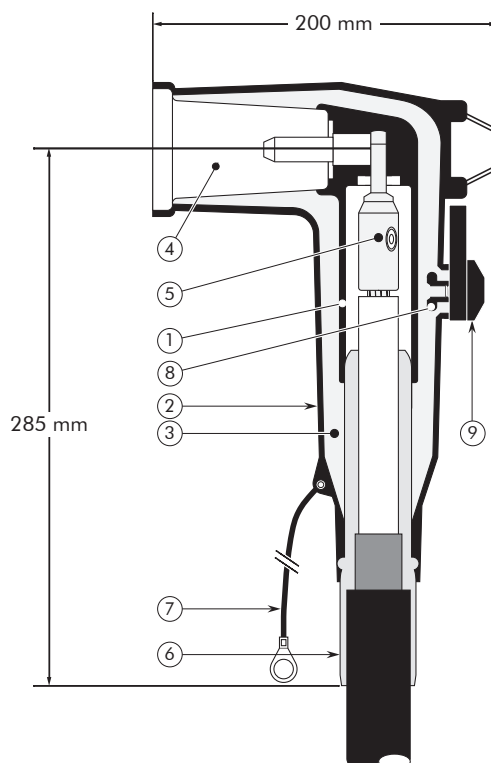


## DESIGN

Separable connector comprising:

1. Conductive EPDM insert.
2. Conductive EPDM jacket.
3. Insulating EPDM layer.
4. Type B - interface as described by CENELEC EN 50180 and 50181.
5. Conductor connector.
6. Cable reducer.
7. Earthing lead.
8. VD point.
9. Conductive rubber cap.

The screen break design enables cable outer sheath testing without removing or dismantling the connector.



**6/10 (12) kV**  
**6.35/11 (12) kV**  
**8.7/15 (17.5) kV**  
**12/20 (24) kV**  
**12.7/22 (24) kV**  
**18/30 (36) kV**  
**19/33 (36) kV**

**Up to 36 kV - 400 A**

**EUROMOLD**

## SPECIFICATIONS AND STANDARDS

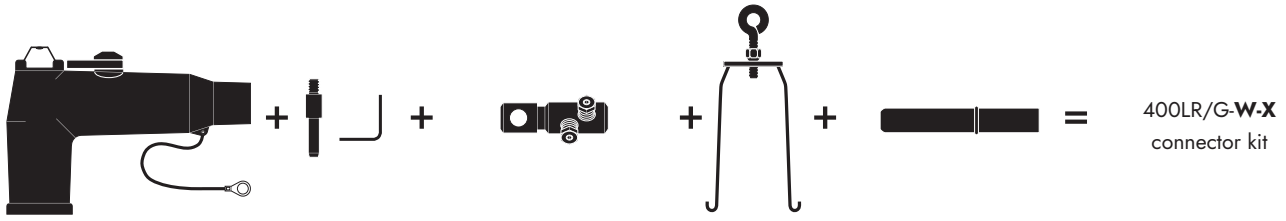
The separable connector 400LR meets the requirements of CENELEC HD 629.1.

Separable connector type	Voltage $U_m$ (kV)	Current $I_r$ (A)	Conductor sizes (mm <sup>2</sup> )	
			min	max
400LR/G	12	400	25	240
K400LR/G	24	400	25	240
M400LR/G	36	400	35	185

## KIT CONTENTS

The complete (K)(M)400LR/G elbow connector kit comprises the following components:

The kit also comprises silicone grease, gloves, wipers, roll adhesive tape and installation instructions.



Connector housing  
(K)(M) 400BLR/G

Pin contact  
+ hex. key  
400LRF

Conductor  
contact  
400LRMC-X

Bail  
restraint  
400BA

Cable reducer  
CA0-W

400LR/G-W-X  
connector kit

## ORDERING INSTRUCTIONS

To order the elbow connector, select the part number which gives the best centring to the cable core insulation diameter and substitute X using table X, according to the conductor size and type. Add a 'K' for use up to 24 kV, add an 'M' for use up to 36 kV.

TABLE W

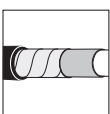
Ordering part number	Dia. over core insulation (mm)	
	min	max
400LR/G-011-X	12.0	19.0
400LR/G-015-X	16.0	26.5
400LR/G-018-X	19.0	32.6
400LR/G-021-X	22.0	34.6
400LR/G-027-X	28.5	37.5

### EXAMPLE:

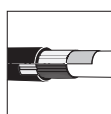
The cable is 24 kV, 185 mm<sup>2</sup> stranded copper with a diameter over core insulation of 27.5 mm. Order a K400LR/G-018-95.240UN5 elbow connector kit.

TABLE X

Conductor sizes (mm <sup>2</sup> )	Aluminium and copper conductor	
	Bolted	
25	25.95UN5	
35		
50		
70		
95		
120		95.240UN5
150		
185		
240		



For use with copper tape screened cables.  
Order: Kit MT.



For use with Alupe or C 33-226 cables.  
Please contact our representative.



For use with other cable types.  
Please contact our representative.



For applications outdoors and in humid climate.  
Order: +MWS.



Components can be ordered individually.